



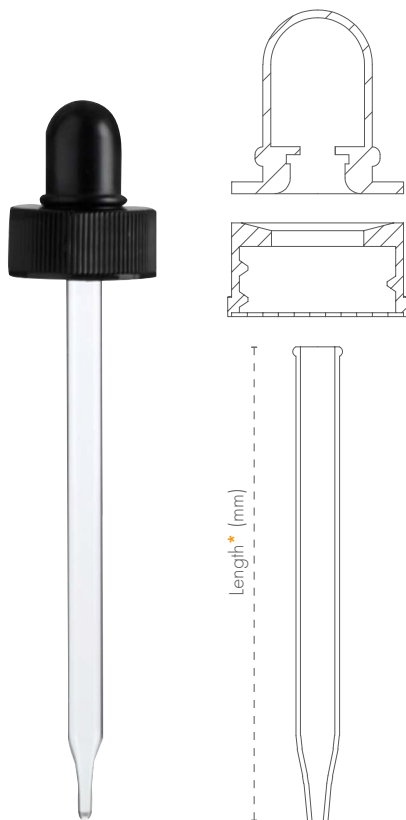
STOELZLE GLASS GROUP

# BOSTON ROUND

SPECIAL PRODUCT RANGE



# PIPETTES – WE HAVE THE PERFECT MATCH



- ✓ **Features:** teat in nitril, matte black
- ✓ **Test results:** items comply with the required limits of FDA 21CFR 177.1520 Olefin polymers
- ✓ **Perfect fit** with Stoelzle Boston Rounds
- ✓ **Simple and quick** total package all in one

## ✉ CONTACT US

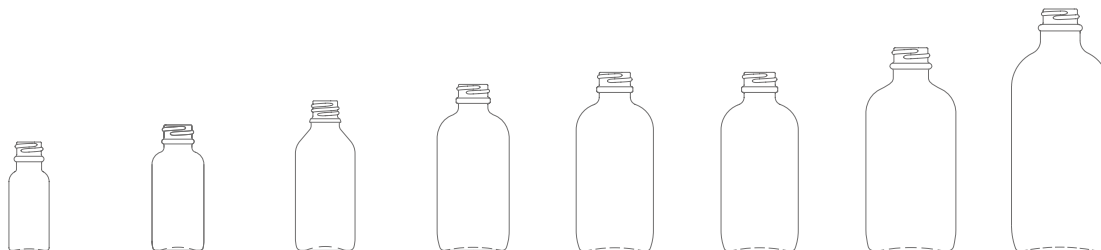
E-Mail: [pharma@stoelzle.com](mailto:pharma@stoelzle.com)

Phone: +43 3144 / 706-0

# BOSTON ROUND



Cavity: ○



Article/Number	73970	74007	74007	74007	74007	69189	74407	69141
Volume (oz)	0.45	1	2	3	4	4	6	8
Brimful (oz)	0.5	1.2	2.1	3.1	4.25	4.25	6.4	8.8
Weight~ (g)	28	43	56	82.5	97	97	165	199
Height (mm)	67.86	78.6	93.7	104	111.9	111.9	127.4	151.6
Size (mm)	24.6	32.5	38.1	44.1	48.4	48.4	56.7	61.1
Neck finish	GPI 400-18	GPI 400-20A-405	GPI 400-20A-405	GPI 400-22A-405	GPI 400-22A-405	GPI 400-24-400	GPI 400-24A-405	GPI 400-24A-400
Article/Number		12170010015	12170010215			12170010115		
Length* (mm)	-	76	91	-	-	108	-	-



STOELZLE GLASS GROUP

CONTACT US

E-Mail: [pharma@stoelzle.com](mailto:pharma@stoelzle.com)

Phone: +43 3144 / 706-0



[www.stoelzle.com](http://www.stoelzle.com)